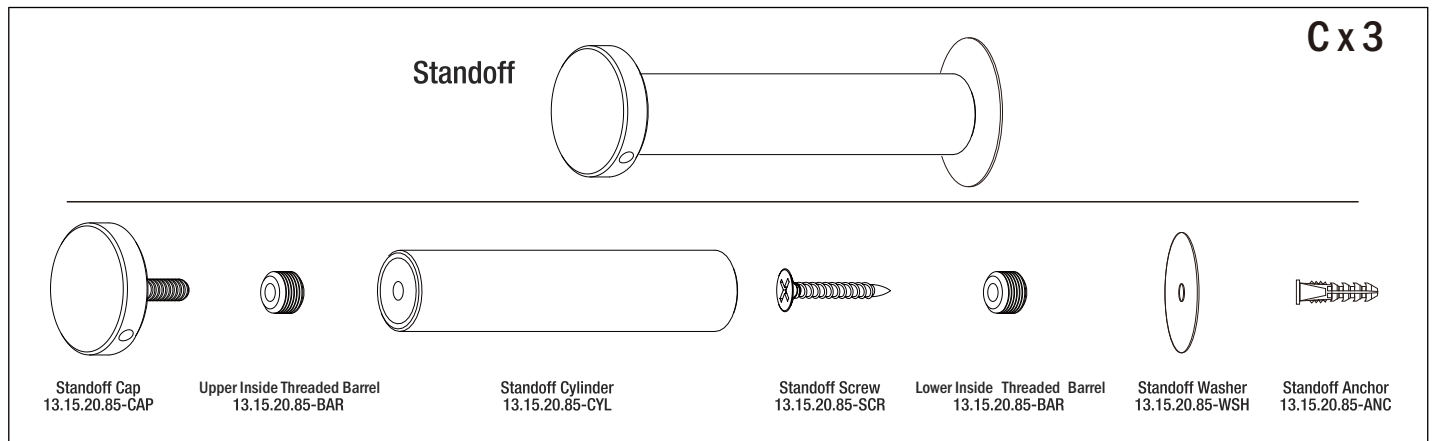
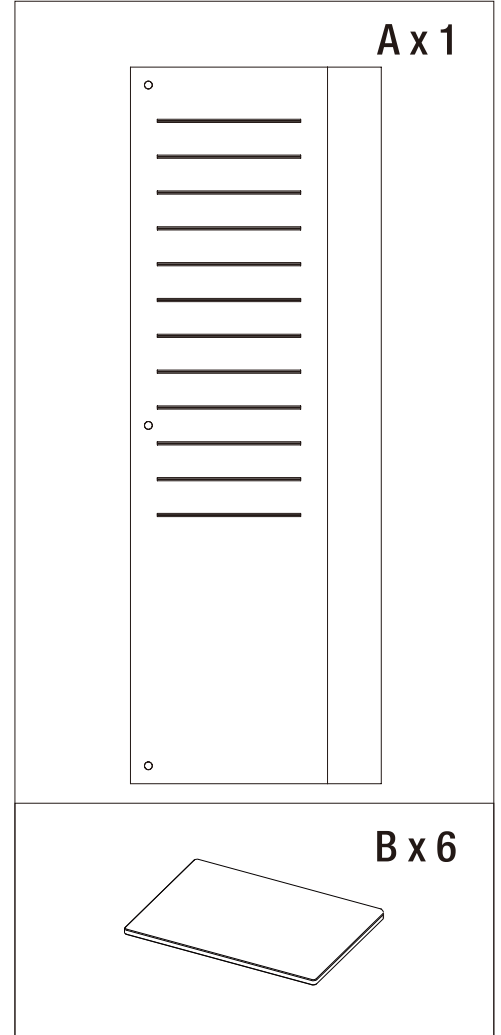
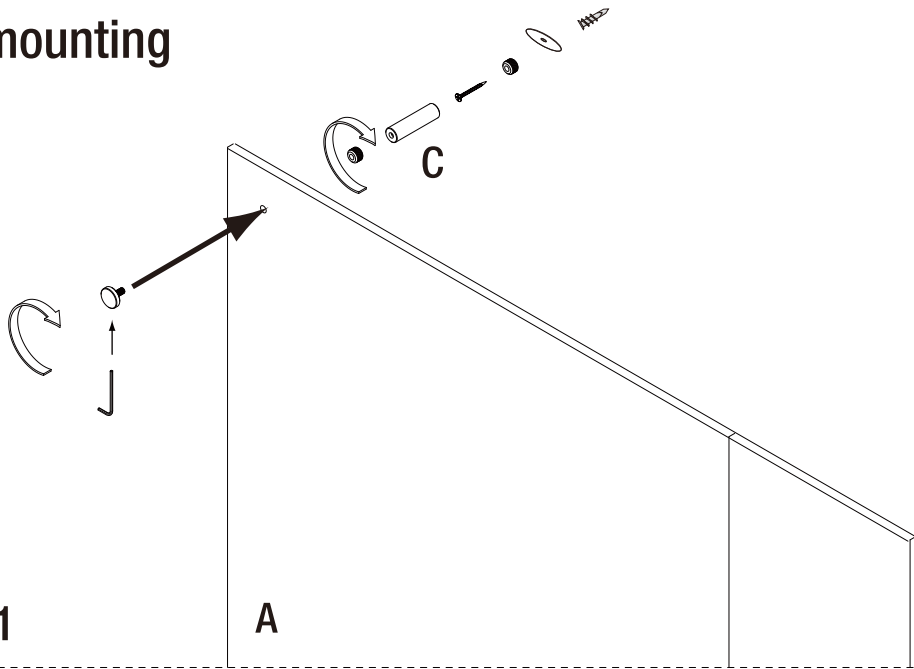


LINEAR SYSTEM



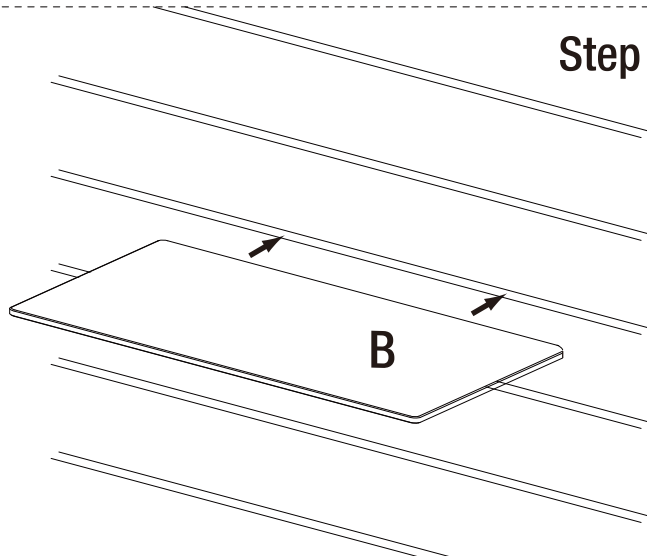
Wall mounting



Step 1

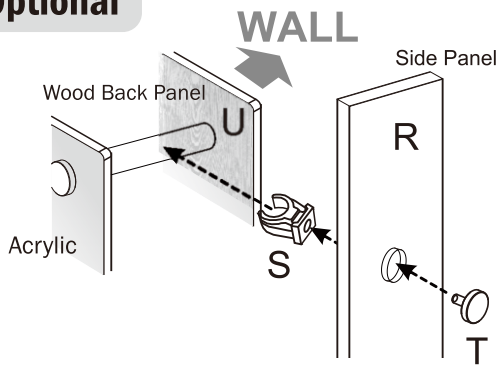
A




Step 2

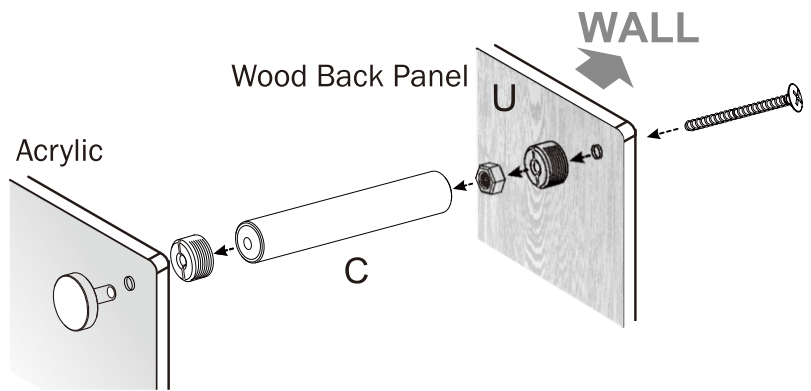





B

Optional



		
R x 1	S x 4	T x 4
Side Panel 3/8"	13.15.20.SIDE	13.15.20.85-CAP



		
U x 1	X x 4	Z x 4
Wooden Back Panel		1/4" - 20 x 2-1/2 Round Combo w/ nut-Zinc